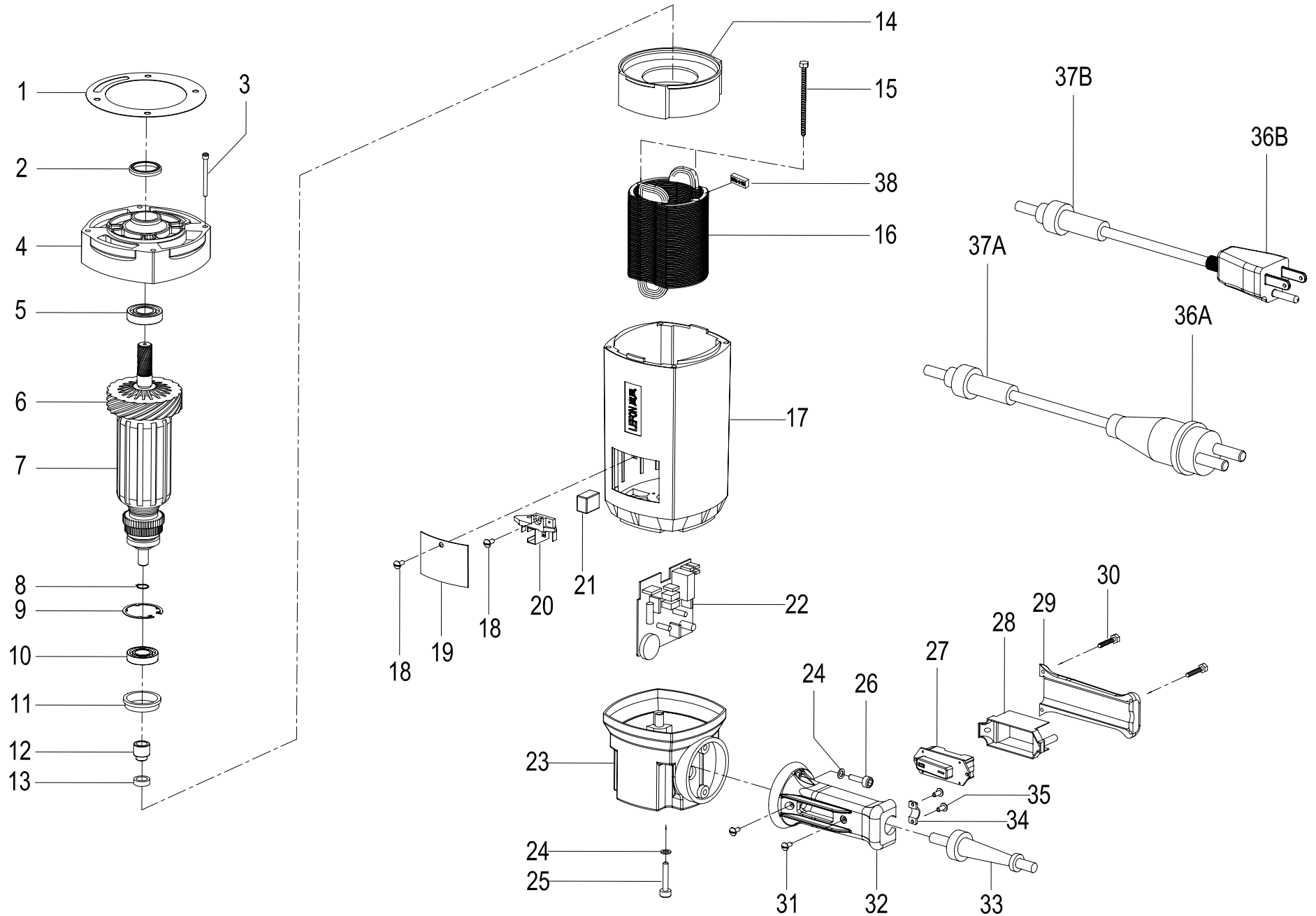


R SERIES MOTOR EXPLODED VIEW



R Series's Motor Price Part List

Assembly #	Part Number	Name	QTY	Price
1	LF01-400M-001	Oil Paper Seal	1	
2	EP4-2	Shaft Seal	1	
3	M5X40	Screw(M5X40)	4	
4	LF01-400M-002	Motor Cover	1	
5	EP4-4	Bearing 6202	1	
6	LF01-400M-003	Motor Fan	1	
7	LF01-400M-004	Rotor(110V)	1	
	LF01-400M-005	Rotor(220V)		
8	EP4-7	Locking Ring 10	1	
9	EP4-8	Locking Ring 35	1	
10	EP4-9	Bearing 6200	1	
11	LF01-400M-006	Bearing Bushing	1	
12	LF01-400M-007	Magnetic Ring	1	
13	LF01-400M-008	Magnetic Ring(6)	1	
14	LF01-400M-009	Motor Fan Bushing	1	
15	ST4.8X80	Screw(ST4.8X80)	2	
16	LF01-400M-010	Stator	1	
17	LF01-400M-011	Motor Housing	1	
18	ST4.8X80	Screw(ST4.8X80)	4	
19	LF01-400M-012	Magnetic Brush Cover	2	
20	LF01-400M-013-016	Brush Holder	1	
21	LF01-400M-017	Carbon Brush	2	
22	LF01-400M-019/020	Motor Speed Regulator	1	
23	LF01-400M-021	Motor Bottom Cover	1	
24	EP4-20	Shock-Absorbing Pad	1	
25	M5X30	Screw(M5X30)	4	
26	M5X20	Screw(M5X20)	2	
27	LF01-400M-022	Switch(110V)	1	

Assembly #	Part Number	Name	QTY	Price
27	LF01-400M-023	Switch(220V)	1	
28	LF01-400M-024	Switch Housing	1	
29	LF01-400M-025	Bottom Handle Housing	1	
30	ST4.2X30	Screw(ST4.2X30)	4	
31	M4X12	Screw(M4X12)	2	
32	LF01-400M-026	Bottom Handle	1	
33	LF01-400M-027	Power Cable Protection Hose	1	
34	LF01-400M-028	Power Cable Clamp	1	
35	M4X12	Screw(M4X12)	2	
36 (A)	LF01-400M-029	220-240 voltage plug	1	
36 (B)	LF01-400M-030	100-120 voltage plug		
37(A)	LF01-400M-031-039	Rotating Joint (Two into two out)	1	
37(B)	LF01-400M-040-039	Rotating Joint (Three into three out)	1	
38	LF01-400M-041	Temperature Protection Detector	1	